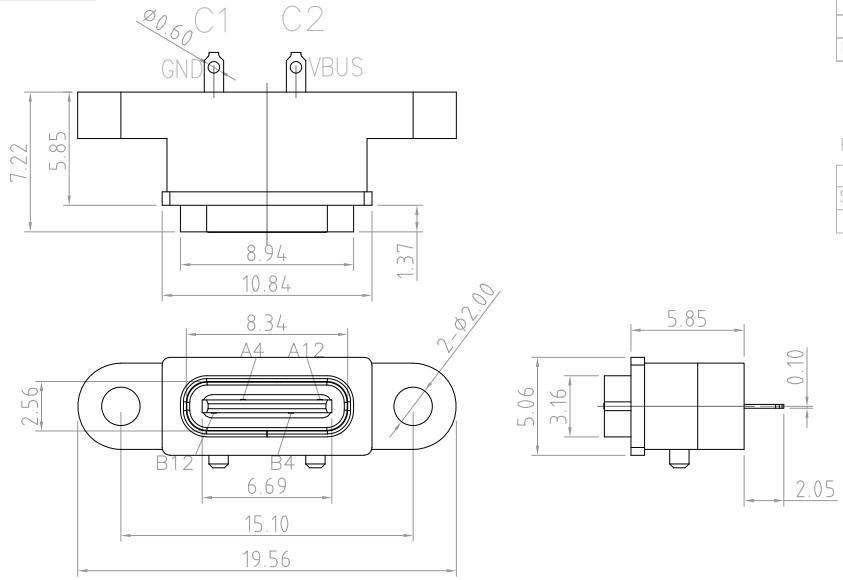


CAD GENERATED DRAWING. DON'T CHANGE BY HAND.

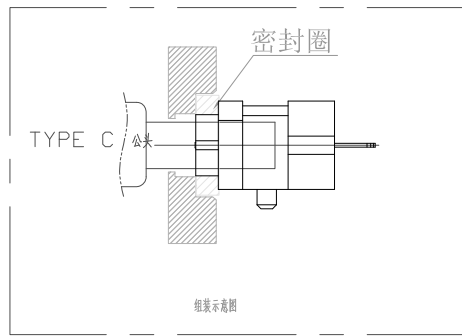
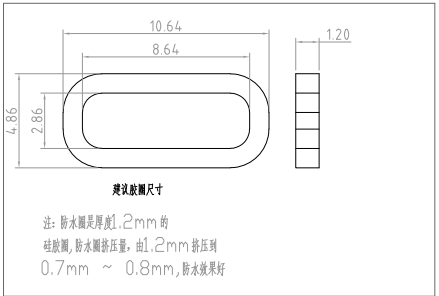


INTERFACE(FRONT VIEW)

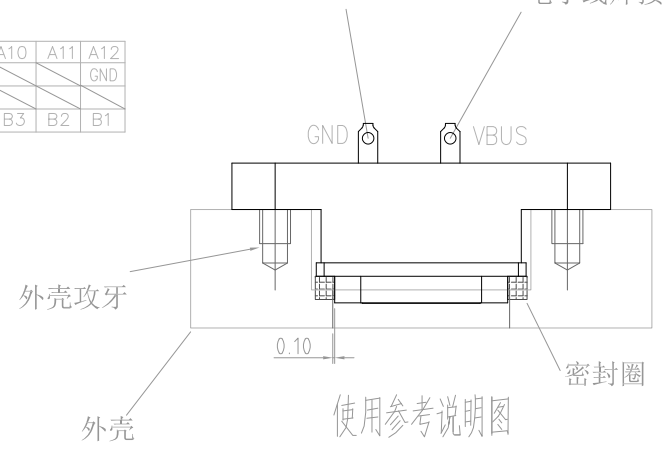
A1	A2	A3	A4	A5	A6	A7	A8	A9	A10	A11	A12
GND			VBUS								GND
B12	B11	B10	B9	B8	B7	B6	B5	B4	B3	B2	B1

PIN ASSIGNMENT

PIN NO.	A12&B12	A4&B4
SINGAL NAME	GND	VBUS
PCB PAD NO.	C1	C2



电子线焊接



无需PCB板, 可直接焊线

NOTES:
SPECIFICATION:

- CURRENT RATING: 3.0A MAX
- DIELECTRIC WITHSTAND VOLTAGE: 100VAC
- TEMPERATURE RANGE: -30 °C ~ 85 °C
- CONTACT RESISTANCE: 40 MILLIONHM MAX
- INSULATION RESISTANCE: 100 MEGOHMS MIN.
- INSERTION FORCE : 5N~20N
- UNMATING FORCE: 8N~20N
- DURABILITY:5000 CYCLES

5	Shell2	1	SUS304 Ni Plating T=0.20mm	Ni:40~120u ⁺
4	Shell1	1	SUS304 Ni Plating T=0.3mm	Ni:40~120u ⁺
3	Housing2	1	LCP(G.F30%)	
2	Contact	4	Phosphor bronze C5210R-EH Au/Ni Plating T=0.20mm	Ni:40~160u ⁺ Au:CONTACT AREA:3u OTHER AREA:G/F
1	Housing	1	PA9T (G.F30%)	
ITEM	PARTNAME	Q'TY	FINISH	NOTE

X.	±0.50	X.*	±2°	UNITS mm
.X	±0.30	.X*	±1°	
.XX	±0.10	.XX*	±0.5°	MAT'L
.XXX	±0.05			
				FINISH
				Q'TY

深圳市创勤电子有限公司
SHENZHEN CHUANGQIN ELECTRONICS CO., LTD.

PART NO.	TITLE:
CQ0571-USBC-1127	TYPE C 2P 外接焊线式防水
APPD: ZHANG	DWG NO.:
CHKD: ZHANG	CQ0571-USBC-1127
MARK	
DR: LIN YUN	

SCALE	SHEET	REV.
1/1	1/2	A1

THESE DRAWINGS AND SPECIFICATIONS ARE THE PROPERTY OF CHUANGQIN ELECTRONIC TECHNOLOGY CO.,LTD.AND SHALL NOT BE REPRODUCED, COPIED OR USED IN ANY MANNER WITHOUT THE PRIOR WRITTEN CONSENT OF CHUANGQIN ELECTRONIC TECHNOLOGY CO., LTD