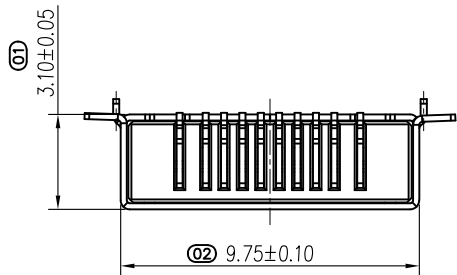
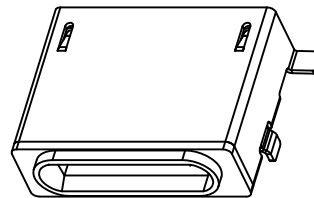


ROHS

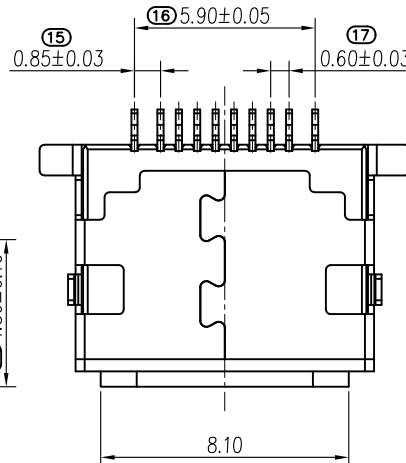
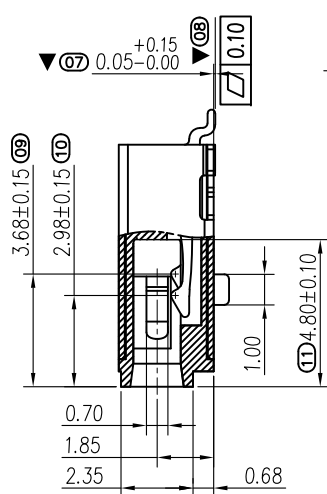
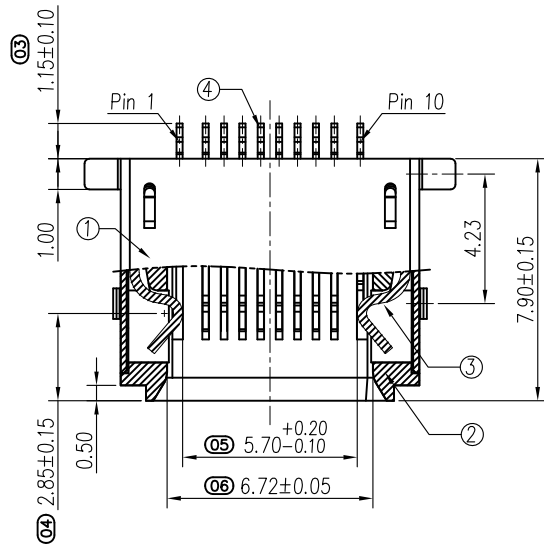


PIN NO.	NAME	PIN NO.	NAME
1	DETECT1	7	DN2
2	GND	8	DP2
3	DP1	9	ACC2
4	DN1	10	DETECT2
5	ACC1	Shell	GND
6	PWR IN		

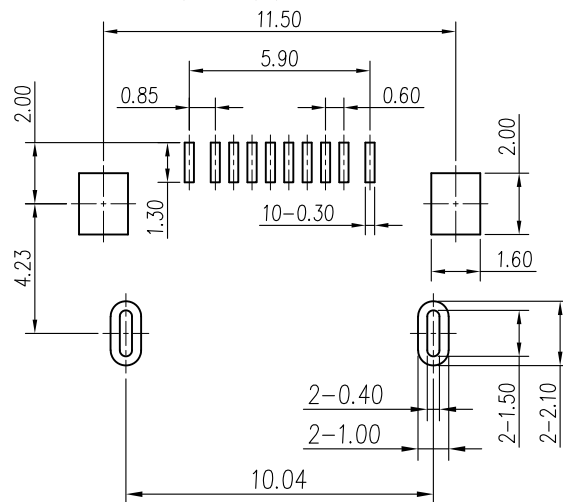
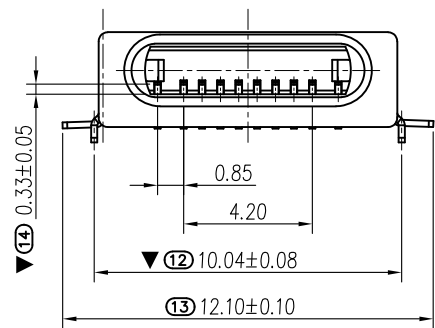


Specification:

- Electrical Characteristics:
  - Contact Current Rating: 1.5 Amperes Max.
  - Rated Voltage: 30V Max.
  - Dielectric Withstanding Voltage: AC 500V r.m.s.
  - Insulation Resistance: 100 MΩ Minimum.
  - Contact Resistance: 50 mΩ Maximum.
- Environmental:
  - Operating Temperature: -25°C~+85°C.
- Mechanical Characteristics:
  - Insertion Force: 15Nf Max.
  - Withdrawal Force: 3Nf Min.
  - Durability Cycles: 5000 Cycles.
- ⊗ Make is FAI test Dimension  
 ▼ Make is major test Dimension



NO.	NAME	DESCRIPTION
4	CONTACT	Copper Alloy; AuNiSn; T=0.20mm;
3	LATCH	Stainless Steel; SUS304, T=0.30mm;
2	HOUSING	LCP Thermoplastic, UL94V-0;
1	SHELL	Stainless Steel; SUS304, T=0.20mm;



RECOMMENDED P.C.B HOLE LAYOUT  
 COMPONENT SIDE VIEW (TOLERANCE: +/-0.05)

08/21-17	LIN	NEW-DWG	A0
DATE	DR.BY	ECN.NO.	DESCRIPTION MARK VER.
-TOLERANCES- UNLESS OTHERWISE SPECIFIED		深圳市创勤科技有限公司 SHENZHEN CHUANGQIN TECHNOLOGY CO., LTD.	
		TITLE: FG 物料规格	
X.	±0.30	X.XXX ±0.100	APPD: PRODUCT NO: CQ013-FGCT1011503
X.X	±0.20	X.X* ±3.00*	CHECK: DATE SCALE UNIT TYPE PAGE
X.XX	±0.15	X.XX* ±1.00*	DRAW: LIN YUN 2017.08.21 1:1 mm CD 1/1