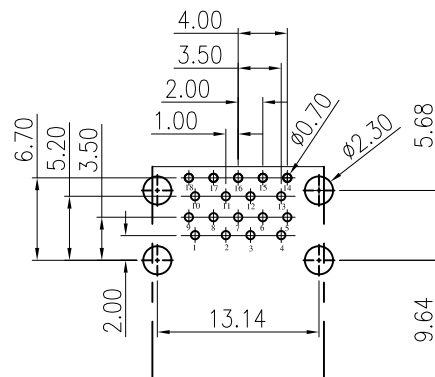
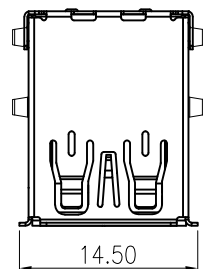
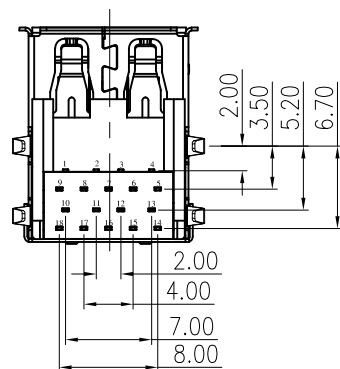
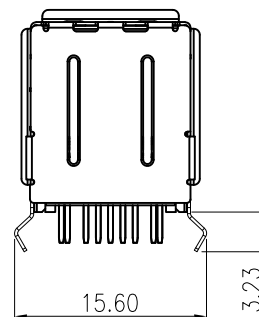
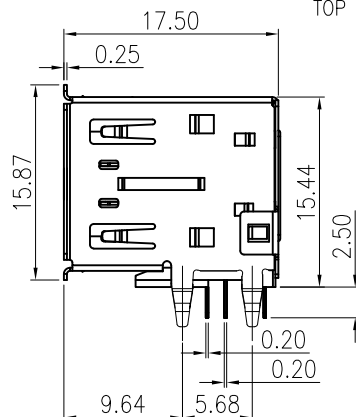
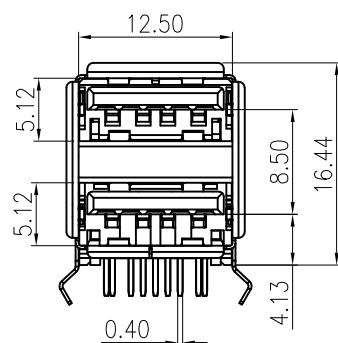


| REV. | ECN. NO. | NAME   | DATE      |
|------|----------|--------|-----------|
| A    | 正版发行     | LINYUN | 2014/11/4 |
| B    |          |        |           |
| C    |          |        |           |



RECOMMENDED P.C.B HOLE LAYOUT  
TOP VIEW(TOLERANCE:±0.05)



NOTE:  
\*MATERIAL  
HOUSING: PBT 300C UL 94V-0;  
CONTACT: BRASS UNDER PLATED 50u"Ni ALL OVER MIN  
80u" Matte TIN. PLATED AU G/F IN CONTACT AREA  
SHELL: SPCC UNDER PLATED 50u"Ni  
SPRING TERMINAL: STAINLESS STEEL

- NOTES:
- 1.0. ELECTRICAL CHARACTERISTIC:
    - 1.1. LOW LEVEL CONTACT RESISTANCE: INITIAL: 30mΩ MAXIMUM  
FOR POWER AND GROUND CONTACTS.  
INITIAL: 50mΩ MAXIMUM  
FOR ALL OTHER CONTACTS.  
AFTER: 10mΩ MAXIMUM CHANGE.
    - 1.2. DIELECTIC WITHSTANDING VOLTAGE: 100V AC FOR ONE MINUTE AT SEA LEVEL.
    - 1.3. INSULATION RESISTANCE: 100MΩ MINIMUM.
  - 2.0. MECHANICAL CHARACTERISTIC:
    - 2.1. INSERTION FORCE: 35N (3.57kgf) MAXIMUM.
    - 2.2. EXTRACTION FORCE: INITIAL: 10N (1.02kgf) MINIMUM.  
AFTER: 8N (0.816kgf) MINIMUM.

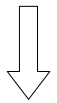
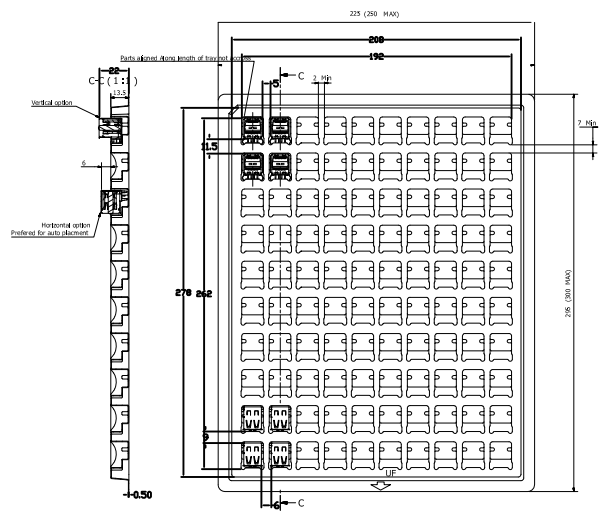
RoHS Compliant

深圳市创勤电子有限公司  
SHENZHEN CHUANGQIN ELECTRONICS CO., LTD.

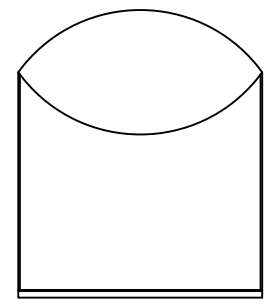
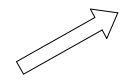
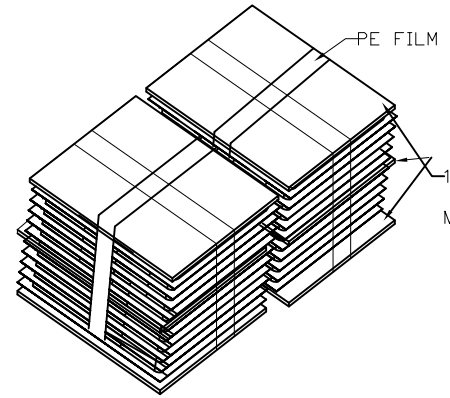
TITLE: 双层USB 3.0 A/F 半金雾锡

| TOLERANCE UNSPECIFIED |         |                  |            |                            |            |
|-----------------------|---------|------------------|------------|----------------------------|------------|
| DRAWN                 | BY:     | 0                | .00        | ±0.50                      | ±0.38      |
|                       |         | .00              | .000       | ±0.25                      | ±0.15      |
|                       |         | ANGLE            |            | ±3.00°                     |            |
|                       |         | CUSTOMER DRAWING |            |                            |            |
| DRAWN BY:             | LIN YUN | SIZE: A4         | UNIT: mm.  | PART NO. CQ053-AF3S0911451 |            |
| CHECKED BY:           | LI JY   | SCALE: 1:1       | PROJECTION |                            | REV.: B    |
| APPROVED BY:          | ZHANG   | DWG. PATH        |            |                            | SHEET: 1/1 |

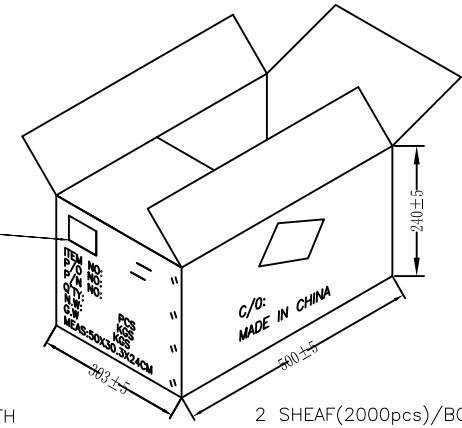
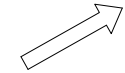
| REV. | ECN. NO. | NAME   | DATE      |
|------|----------|--------|-----------|
| A    | 正版发行     | LINYUN | 2014/11/4 |
| B    |          |        |           |
| C    |          |        |           |



10 TRAY/SHEAF, EACH SHEAF PACKING PRODUCTS  
1000 PCS, PACKED PRODUCTS, 20 TRAY/BOX



THE PRODUCT IS PUT INTO A PE BAG AND PUT IN ADRY BATH



2 SHEAF(2000pcs)/BOX

RoHS Compliant

深圳市创勤电子有限公司  
SHENZHEN CHUANGQIN ELECTRONICS CO., LTD.

TITLE: 双层USB 3.0 A/F 半金雾锡

|                       |         |            |           |                            |         |
|-----------------------|---------|------------|-----------|----------------------------|---------|
| TOLERANCE UNSPECIFIED |         |            |           |                            |         |
| 000.                  | ±3      |            |           |                            |         |
| 00.                   | ±1      |            |           |                            |         |
| 0.                    | ±0.5    |            |           |                            |         |
| 0.0                   | ±0.38   |            |           |                            |         |
| ANGLE                 | ±3.00°  |            |           |                            |         |
| CUSTOMER DRAWING      |         |            |           |                            |         |
| DRAWN BY:             | LIN YUN | SIZE: A4   | UNIT: mm. | PART NO. CQ053-AF3S0911451 |         |
| CHECKED BY:           | LI JY   | SCALE: 1:1 |           | PROJECTION                 | REV.: B |
| APPROVED BY:          | ZHANG   | DWG. PATH  |           | SHEET: 1/1                 |         |