

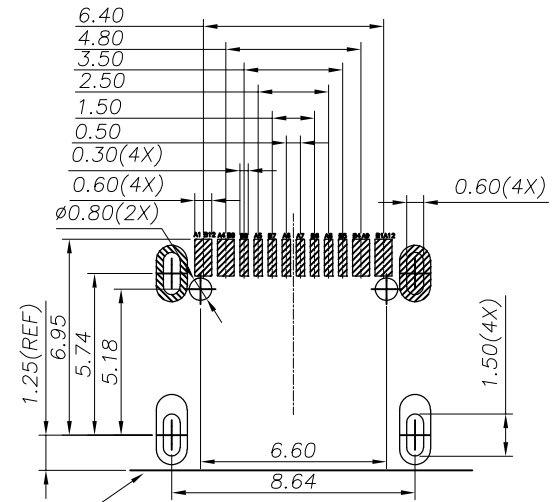
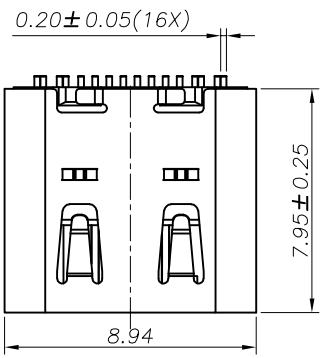
Version	Engineer	Change No.	Change Description	Date	Approved by

- NOTE: 1.MATERIAL SPECIFICATION:
1.HOUSING:HIGH TEMPERATURE RESISTANT PLASTIC,UL94 V-0.
2.CONTACTS:COPPER ALLOY
4.FRONT SHELL: STAINLESS STEEL
2.MECHANICAL PERFORMANCE,
2-1.INSERTION FORCE: 0.5~2.0kgf.
2-2.REMOVAL FORCE: 0.8kgf~2.0kgf.
2-3.DURABILITY: 10000 CYCLES.
3.ELECTRICAL PERFORMANCE,
3-1. CURRENT RATING:5.0A
VOLTAGE RATING:20V
3-2. LLCR:
VBUS & GND PINS AND OTHER PINS: 40mΩ/PIN MAX.
SHIELD: 50mΩ/MAX.
LLCR MAX. CHANGE OF ALL PINS: 10mΩ.
3-3.INSULATION RESISTANCE: 100MΩ MIN
3-4.DIELECTRIC WITHSTAND VOLTAGE,AC 100V FOR 1 MINUTE.
4. ENVIRONMENTAL PERFORMANCE:
OPERATING TEMPERATURE: -25°C~+85°C.
5.IR REFLOW:
THE PEAK TEMPERATURE ON THE BOARD SHALL
BE MAINTAINED FOR 10 SECONDS AT 260°C.
5.P/N: USB C02-116XX-X00R
L B:BLACK

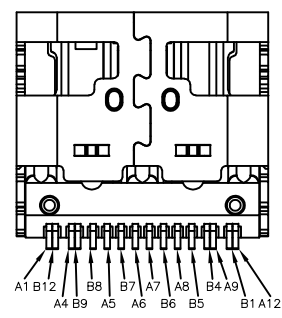
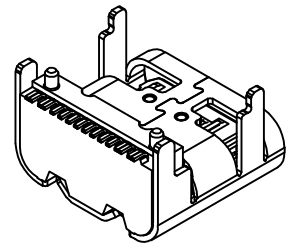
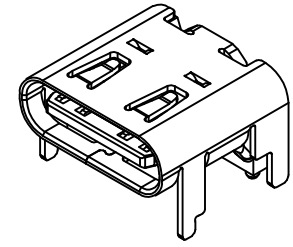
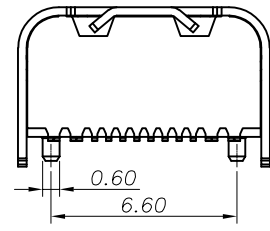
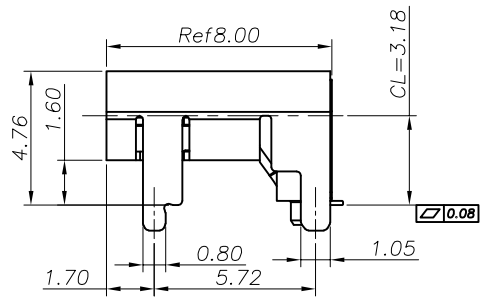
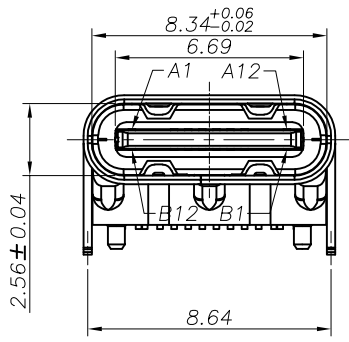
01:GOLD FLASH PLATING ON CONTACT AREA,
GOLD FLASH PLATING ON SOLDER AREA
03:3u" GOLD PLATING ON CONTACT AREA,
GOLD FLASH PLATING ON SOLDER AREA

USB TYPE-C PIN ASSIGNMENTS

PIN NUMBER	SIGNAL NAME	PIN NUMBER	SIGNAL NAME
A1	GND	B12	GND
A4	VBUS	B9	VBUS
A5	CC1	B8	SBU2
A6	Dp1	B7	Dn2
A7	Dn1	B6	Dp2
A8	SBU1	B5	CC2
A9	VBUS	B4	VBUS
A12	GND	B1	GND



RECOMMENDED PCB LAYOUT(TOP VIEW)
THICKNESS 0.80MM;DEFAULT TOLERANCE:±0.05



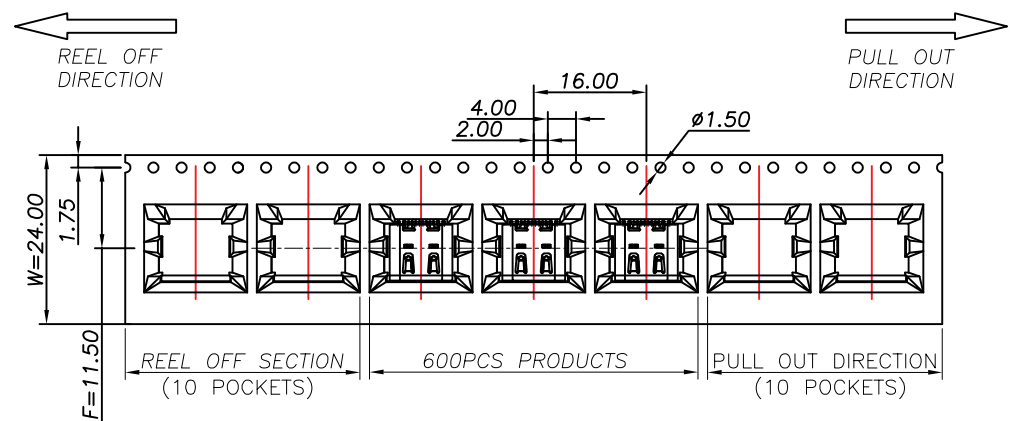
X.	±0.35	X.*	±2°	 单位 Unit: mm
.X	±0.25	.X*	±1.5°	
.XX	±0.15	.XX*		
.XXX	±0.05	.XXX*		

产品名称 Product Name USB TYPE C2.0 16P, 板上C1=3.18mm(垫高1.60mm)		深圳市创勤科技有限公司 SHENZHEN CHUANGQIN TECHNOLOGY CO., LTD.	
物料编号 Material No: CQ024-TFJG1631801		客户料号 Customer Item:	
核准 APPROVED: ZHANG		日期 Date:	
审核 CHECKED: LI JY		日期 Date:	
设计 DESIGNED: LIN YUN		日期 Date: 2021.02.03	
模具编号 Tool NO.:		版次 Rev.: A	
工程图号 Tool NO.: CQ00-0002-1		比例 Size:	
页面 Page:		1/1	

本图纸由公司内部发行, 未经允许
不得擅自拷贝、改动或带离公司。

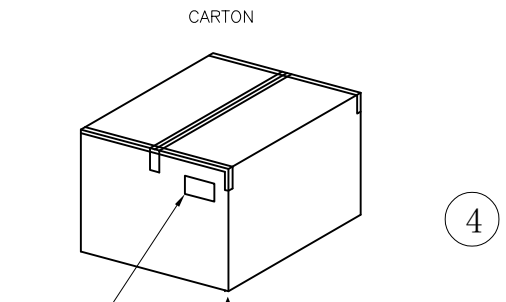
1 2 3 4 5 6 7 8

A

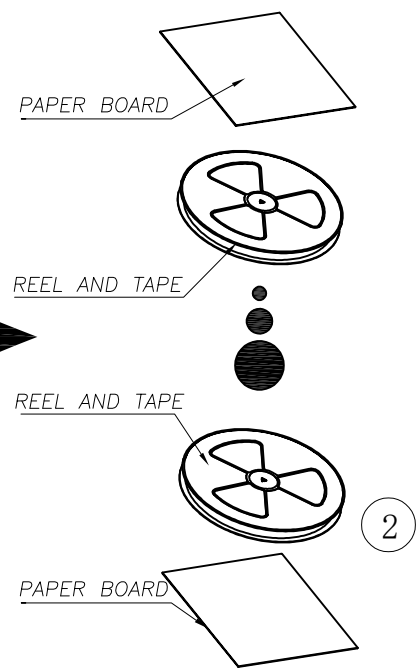
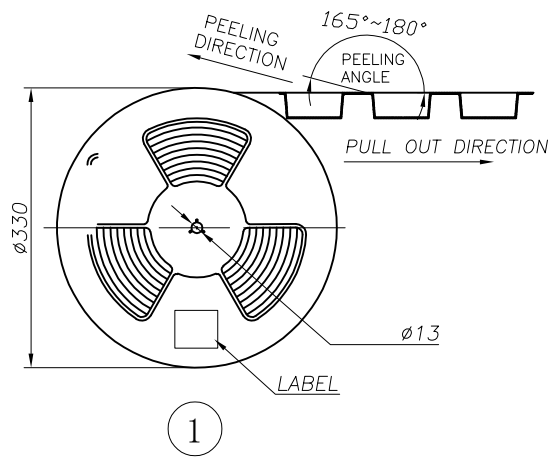


包装明细表 (The detail of the packing)		Carton	
产品料号 (Product No.)	包装容量 (Packing Capacity)		
	pcs/box	boxs/Carton	Pcs/Box
USBCQ02-116XX-X00R	600	10	6000

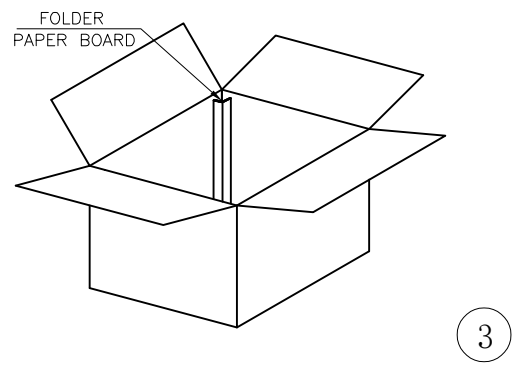
B



C



D



E

F

X.	±0.35	X.°	±2°	 单位Unit: mm	产品名称Product Name USB TYPE C2.0 16P, 板上C1=3.18mm(垫高1.60mm)	深圳市创勤科技有限公司 SHENZHEN CHUANGQIN TECHNOLOGY CO., LTD.		
.X	±0.25	.X°	±1.5°					
.XX	±0.15	.XX°						
.XXX	±0.05	.XXX°						
物料编号Material No: CQ024-TFJG1631801					客户料号Customer Item:			
本图纸由公司内部发行, 未经允许 不得擅自拷贝、改动或带离公司。					核准APPROVED: ZHANG	日期Date:	模具编号Tool NO.:	版次Rev.
					审核CHECKED: LI JY	日期Date:	工程图号Tool NO.: CQ00-0002-1	A
					设计DESIGNED: LIN YUN	日期Date: 2021.02.03	比例Size:	页面Page: 2/2

1 2 3 4 5 6 7 8