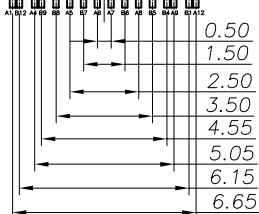
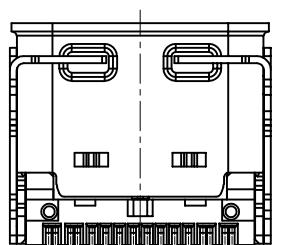
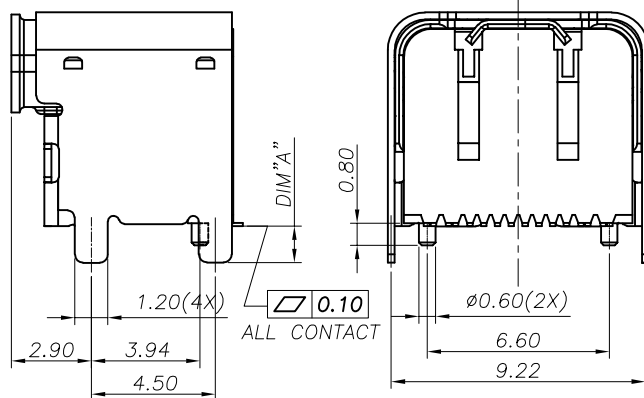
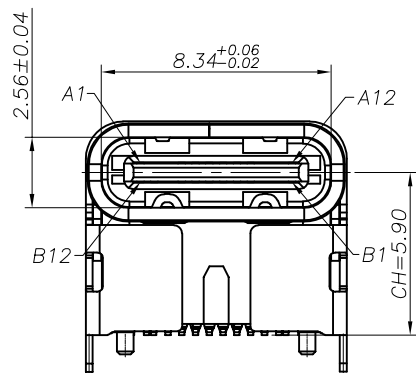
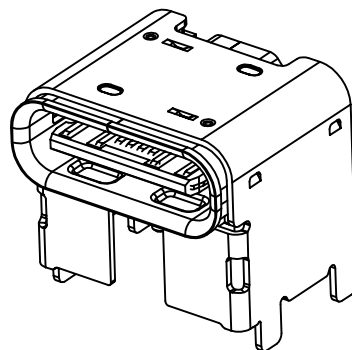
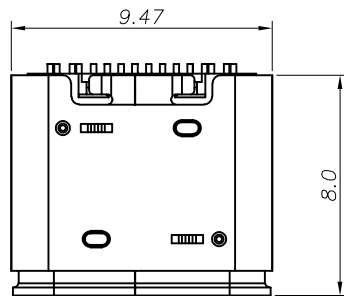


RoHS

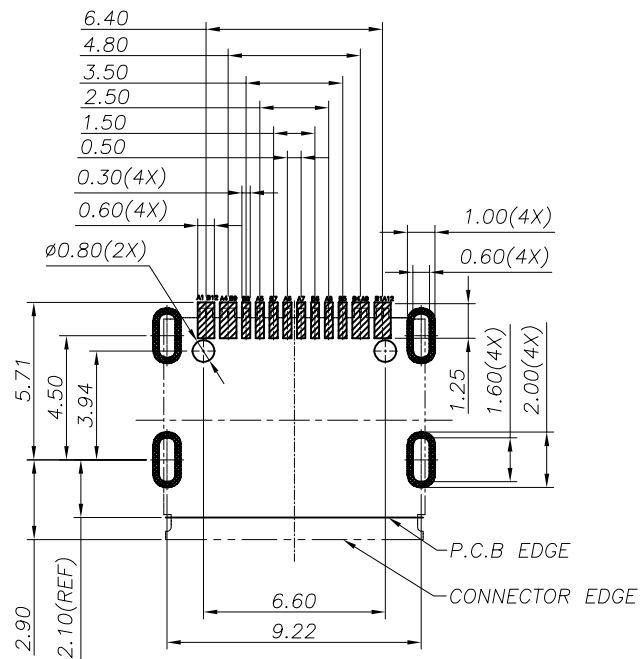
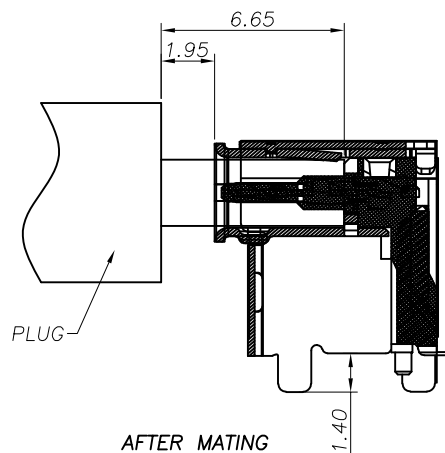


NOTE:

- 1.MATERIAL SPECIFICATION:
 - 1.HOUSING:HIGH TEMPERATURE RESISTANT PLASTIC,UL94 V-0.
 - 2.TERMINAL:COPPER ALLOY (C1814)
 - 3.MID PLATE: STAINLESS STEEL (SUS301)
 - 4.FRONT SHELL: STAINLESS STEEL (SUS304)
 - 5.TOP SHELL: STAINLESS STEEL (SUS304)
- 2.PLATING SPECIFICATION:
 - 2-1.CONTACTS:
 - Ni 50u" MIN. UNDER PLATED OVER ALL.
 - Au PLATED ON THE FUNCTIONAL AREA OF CONTACT.
 - (GOLD PLATING THICKNESS FOLLOW THE P/N)
 - PLATING SPECIFICATIONS OF THE SOLDER AREA FOLLOW THE P/N
 - 2-2.FRONT SHELL&TOP SHELL:
 - Ni 30u" MIN. UNDER PLATED OVER ALL.
 - 2-3.MID PLATE:
 - CLEAR ONLY
- 3.MECHANICAL PERFORMANCE,
 - 3-1.INSERTION FORCE: 0.5~2.0kgf.
 - 3-2.REMOVAL FORCE: 0.8kgf~2.0kgf.
 - 3-3.DURABILITY: 10000 CYCLES.
- 4.ELECTRICAL PERFORMANCE,
 - 4-1. VOLTAGE RATING:5 V DC/AC (RMS. max)
CURRENT RATING:5 AMPS. FOR TOTAL VBUS/GND PINS;
1.25AMPS FOR CC PIN,0.25 AMPS. FOR ALL OTHER CONTACT.
 - 4-2. LLCR:
 - VBUS & GND PINS AND OTHER PINS: 40mΩ/PIN MAX.
 - SHIELD: 50mΩ/MAX.
 - LLCR MAX. CHANGE OF ALL PINS: 10mΩ.
 - 4-3.INSULATION RESISTANCE: 100MΩ MIN
 - 4-4.DIELECTRIC WITHSTAND VOLTAGE,AC 100V FOR 1 MINUTE.
5. ENVIRONMENTAL PERFORMANCE:
 - OPERATING TEMPERATURE: -25°C~+85°C.
- 6.IR REFLOW:
 - THE PEAK TEMPERATURE ON THE BOARD SHALL BE MAINTAINED FOR 10 SECONDS AT 260°C.

UNITS mm	SCALE 1:1	REV. B3	SHEET	深圳市创勤科技有限公司 SHENZHEN CHUANGQIN TECHNOLOGY CO.,LTD.	
		DATE 2017.04.15		TITLE CQ-TYPE-C F 16P 加高CH=5.9	
		DR. LIN YUN		FINISH SEE TABLE	
GENERAL TOLERANCE 0. ±0.15 0.0 ±0.10 0.00 ±0.05 0.' ±2' 0.0' ±1'		CHK. LI JY		PART NO. SEE TABLE	
		APPD. ZHANG		SIZE A4	
		DWG.NO. CQ024-TFJG1605901		A	

RoHS

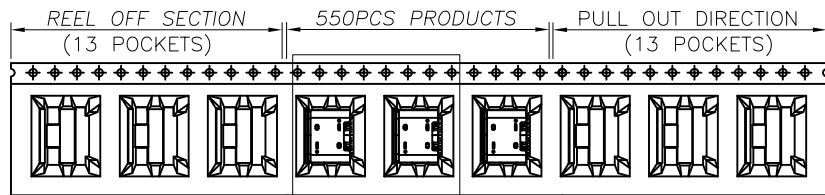


RECOMMENDED PCB LAYOUT(TOP VIEW)

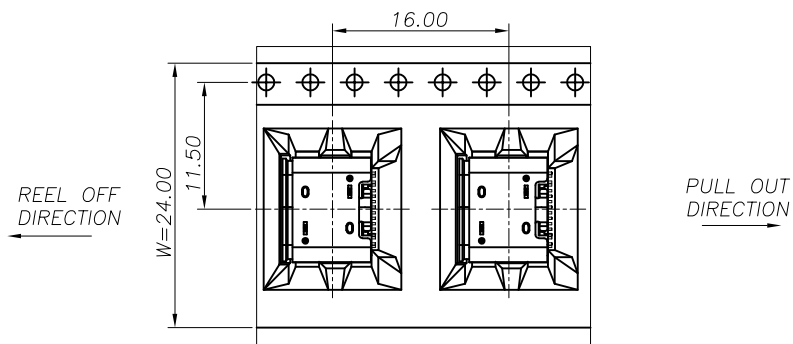
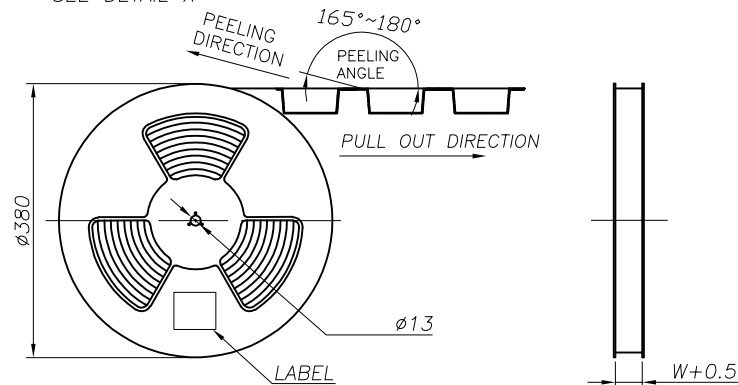
USB TYPE-C PIN ASSIGNMENTS

PIN NUMBER	SIGNAL NAME	PIN NUMBER	SIGNAL NAME
A1	GND	B12	GND
A4	Vbus	B9	Vbus
A5	CC1	B8	SBU2
A6	Dp1	B7	Dn2
A7	Dn1	B6	Dp2
A8	SBU1	B5	CC2
A9	Vbus	B4	Vbus
A12	GND	B1	GND

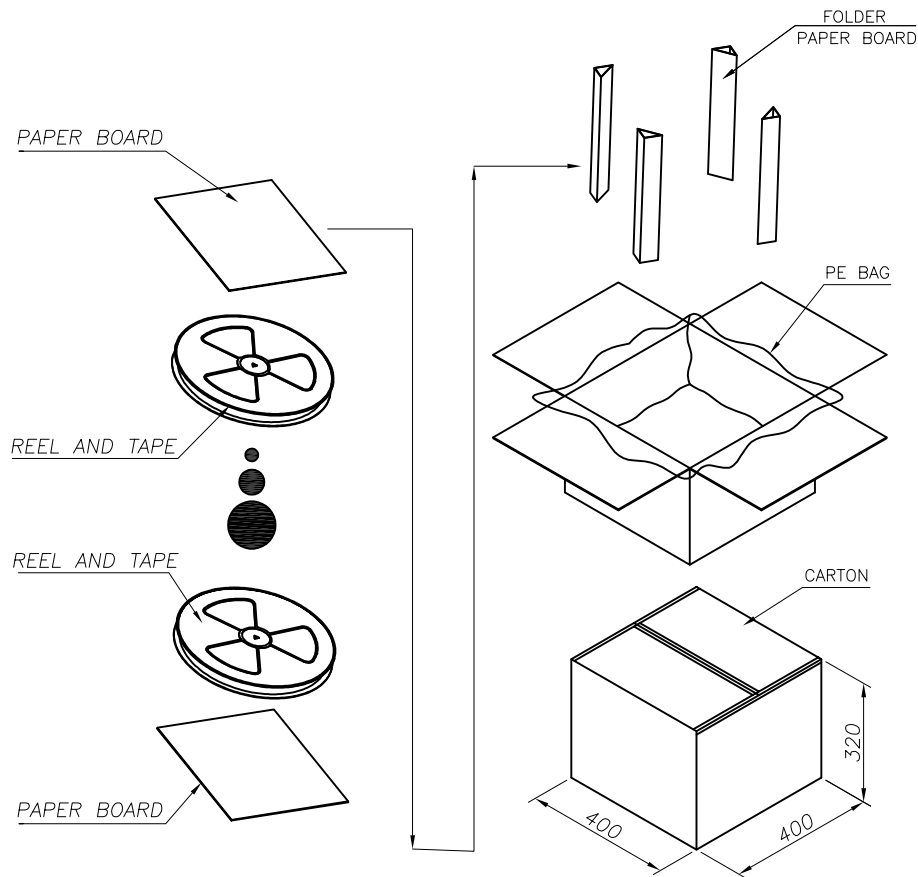
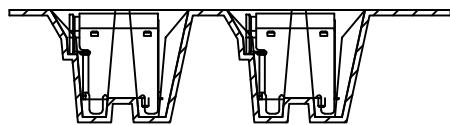
UNITS	SCALE	REV.	SHEET	深圳市创勤科技有限公司 SHENZHEN CHUANGQIN TECHNOLOGY CO., LTD.	
mm	1:1	B3		TITLE	
		DATE	2017.04.15	CQ-TYPE-C F 16P 加高CH=5.9	
GENERAL TOLERANCE		DR.	LIN YUN	MAT'L	SEE TABLE
0. ±0.15		CHK.	LI JY	FINISH	SEE TABLE
0.0 ±0.10		APPD.	ZHANG	DWG.NO.	CQ024-TFJG1605901
0.0 ±0.05				A	PART NO. SEE TABLE
0. ±2°					SIZE A4
0.0 ±1°					



SEE DETAIL X



DETAIL X
SCALE 2:1



	REEL	CARTON
CONNECTOR (PCS)	550	5500

UNITS mm	SCALE 1:1	REV. B3	SHEET	深圳市创勤科技有限公司 SHENZHEN CHUANGQIN TECHNOLOGY CO., LTD.			
		DATE	2017.04.15	TITLE			
GENERAL TOLERANCE 0. ±0.15 0.0 ±0.10 0.00 ±0.05 0.° ±2' 0.0° ±1'		DR.	LIN YUN	CQ-TYPE-C F 16P 加高CH=5.9			
		CHK.	LI JY	MAT'L	SEE TABLE	FINISH	SEE TABLE
		APPD.	ZHANG	DWG.NO.	CQ024-TFJG1605901	PART NO.	SEE TABLE
				A		SIZE	A4