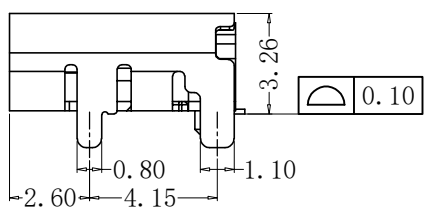
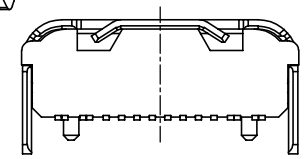
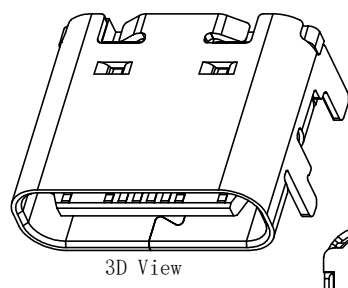
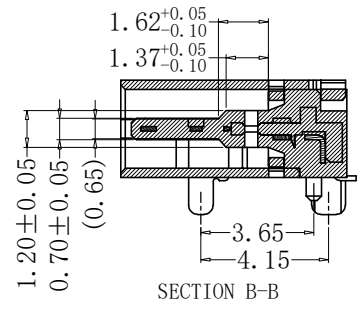
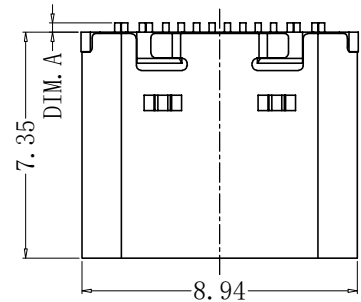
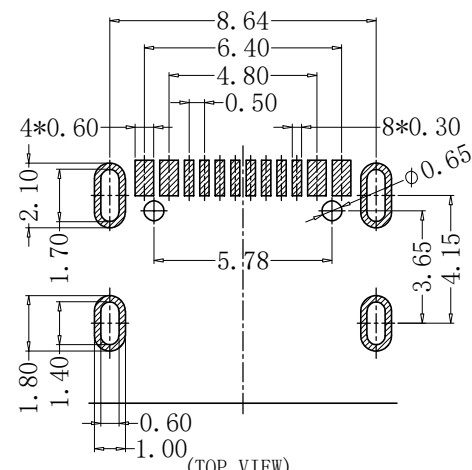
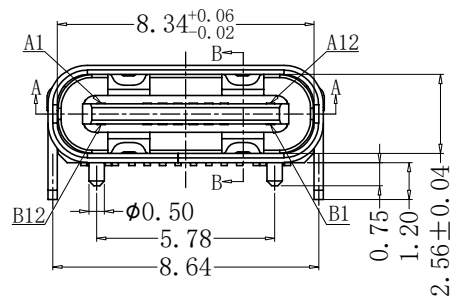


RoHs

VER	MARK	PR. BY	ECR/ECN DESCRIPTION	DATE
A		LIN YUN	NEW RELEASE	05/19' 21
B		LIN YUN	新增料号	08/25' 21



PIN DEFINE TABLE			
PIN	SIGNAL	PIN	SIGNAL
A12	GND	B1	GND
A11		B2	
A10		B3	
A9	VBUS	B4	VBUS
A8	SBU1	B5	CC2
A7	D-	B6	D+
A6	D+	B7	D-
A5	CC1	B8	SBU2
A4	VBUS	B9	VBUS
A3		B10	
A2		B11	
A1	GND	B12	GND

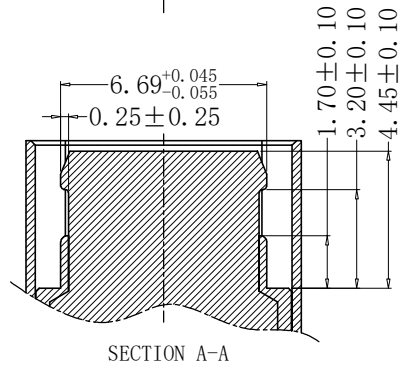
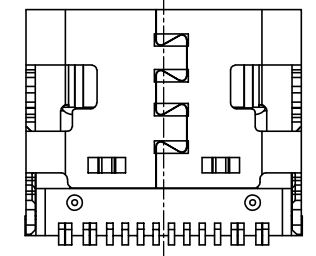


RECOMMENDED P.C.B. LAYOUT (T:1.0~1.2mm)  
TOLERANCE UNSPECIFIED ±0.05mm

SPECIFICATION:

- Material: HOUSING&MOLDING: HIGH TEMPERATURE RESISTANT PLASTIC,UL94 V-0 CONTACTS:COPPER ALLOY T=0.20mm IDDLE CLIP:SUS301-1/2H,T=0.15mm SHELL:SUS, T=0.30mm
- Mechanical:
  - Mating force:5~20Nf Max.;
  - Unmating force:6~20Nf Min.;
  - Durability:10000 Cycles;
- Electrical:
  - Current Rating:3A Max.;
  - Voltage Rating:20V Max.;
  - Dielectric Withstanding voltage:100VAc;
  - Contact resistance:40m Ohms Max.;
  - Insulation Resistance:100M Ohms Min.;
- Environmental:
  - Operating temperature:-40°C~+85°C;
  - Wetting Temperature:265±5°C,5±0.5s

NO.	COLOR	镀金1u"
1.	BLACK	1016-PGB441
2.	BLACK	1016-PGB442
3.	WHITE	1016-PGW400
4.	ORANGE	1016-PGC030



CUSTOMER		GENERAL TOLERANCES UNLESS SPECIFIED		APPROVED BY: ZHANG		深圳市创勤电子有限公司 SHENZHEN CHUANGQIN ELECTRONICS CO.,LTD.	
SIZE A4	UNITS MM[INCH]	X±0.50 .X±0.35	X'±5.0' .X'±3.0'	CHECKED BY: LI JY		PART NO.: See the List	TITLE: TYPE C 16pin母座板上有柱
SCALE 1:1	REV. 1	.XX±0.25 .XXX±0.15	.XX'±2.5' .XXX'±2.0'	DESIGN BY: LIN YUN		DWG NO.: CQ013-TFBS1631011	SHEET 1/2

