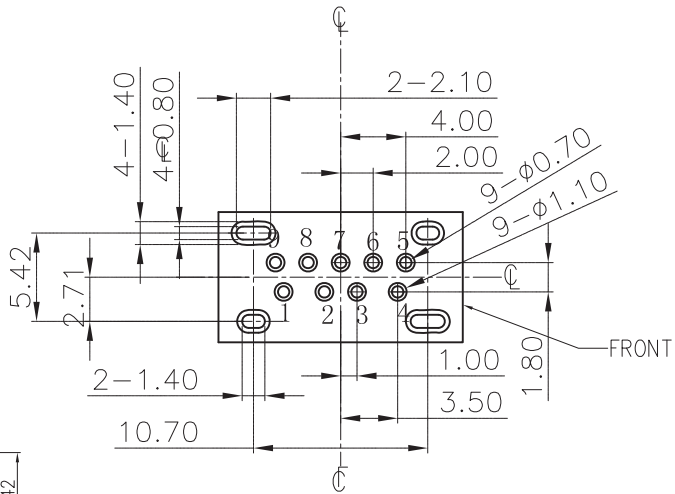
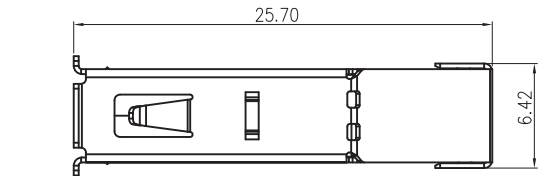
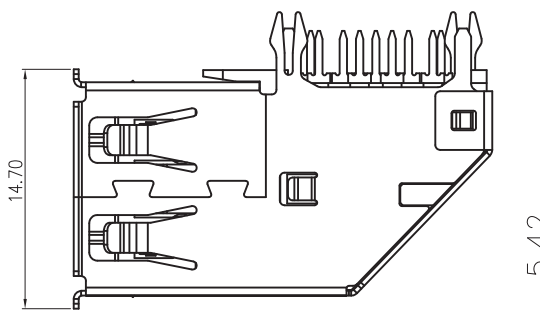


REV.	ECN.NO.	APPD.
A		

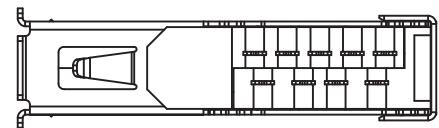
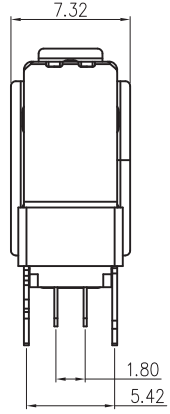
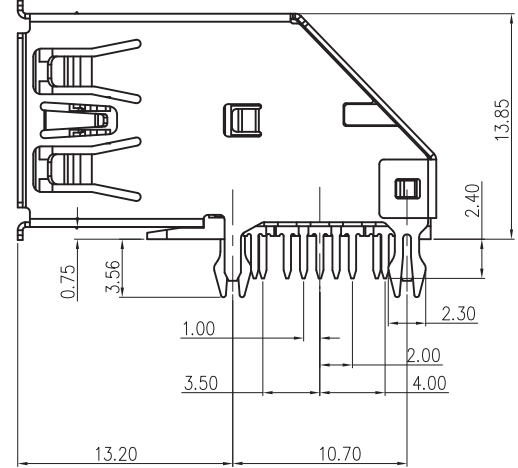
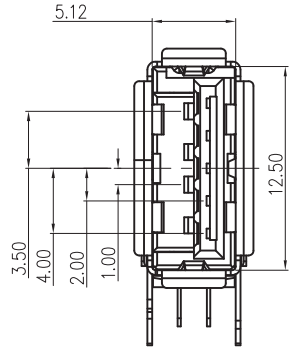


PCB LAYOUT (TOP VIEW)

SPECIFICATIONS:
 Contact current Rating:
 1.8 Amperes for pin1&pin4.
 0.25 Amperes other contacts
 Dielectric Withstanding Voltage:AC 100V(RMS)
 Insulation resistance:100Megohms Minimum.
 Contact Resistance:
 30mΩ Max for pin1&pin4
 50mΩMax for other contacts
Mechanical Characteristics:
 Mating Force:35 Newtons.Maximum
 Unmating Force:10 Newtons.Minimum.
 8N Min After Durability

MATERIAL:
 Housing: PBT Blue UL94V-0
 Contact: copper alloy(T=0.20mm)
 Shell: SUS

PLATING:
 Contact: Gold Falsh Plated on contact area
 Tin Plated on solder area
 Nickel underplating over all
 Shell: Nickel Plated
 operating Temperature:-55°to+85°



				TOLERANCE UNLESS OTHERWISE SPECIFIED		深圳市创勤科技有限公司 Shenzhen Chuangqin Technology Co., Ltd.				
.XXX ±0.10		.XX ±0.20		.X ±0.30		.X' ±3'				
Pin Number	Signal Name	Pin Number	Signal Name							
1	VBUS	5	SSRX-	APPROVED		PART NAME:	USB 3.0 AF 侧插90度			
2	D-	6	SSRX+	CHECKED		PART No:	CQ039-AFCC30911520		C	
3	D+	7	GND	DRAWN	LINYUN	PROJECTION:	UNIT:	SCALE:	SHEET:	REV.
4	GND	8	SSTX-	DATE	2014.08.01		mm	1:1	10F1	A
Shell	Shield	9	SSTX+							