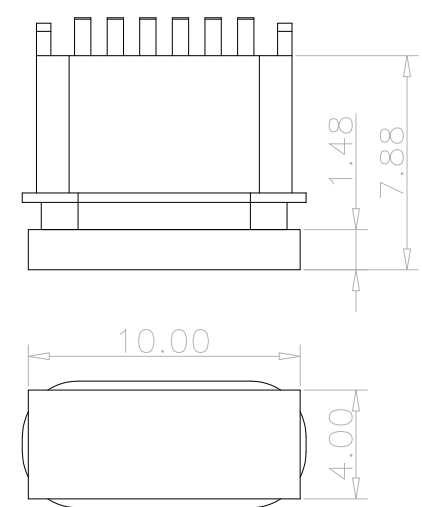
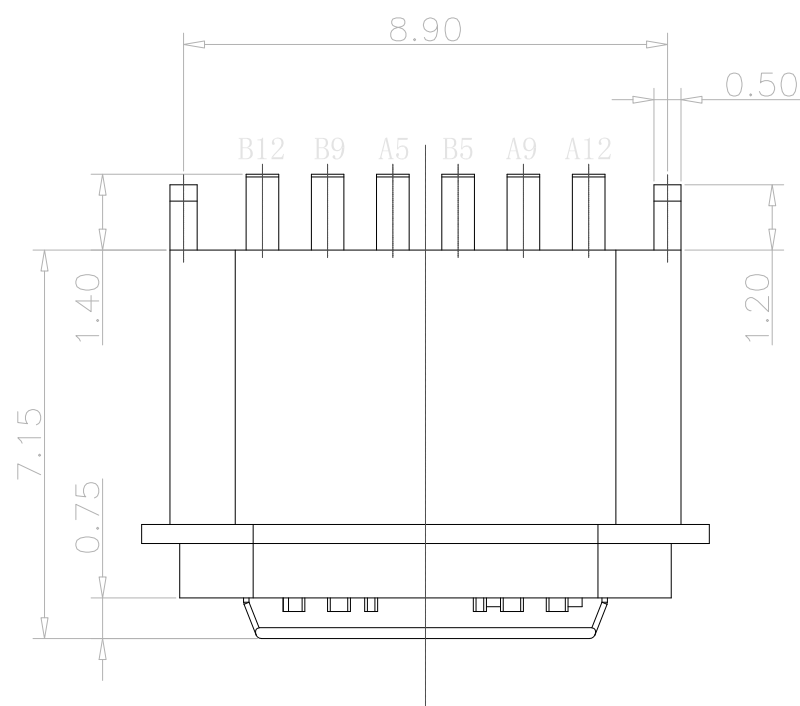
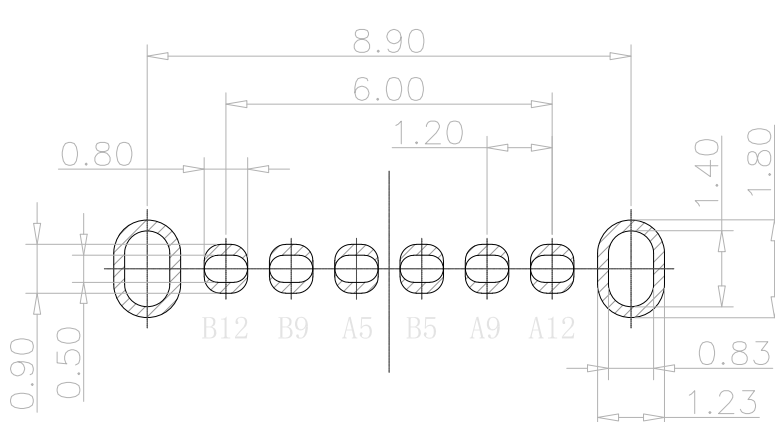


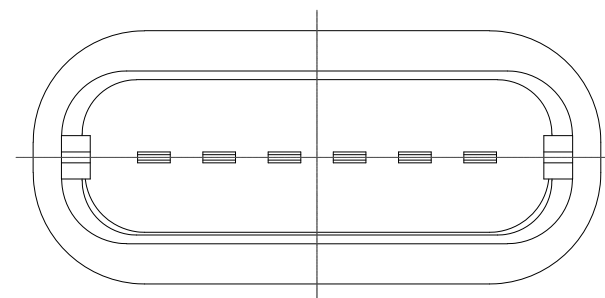
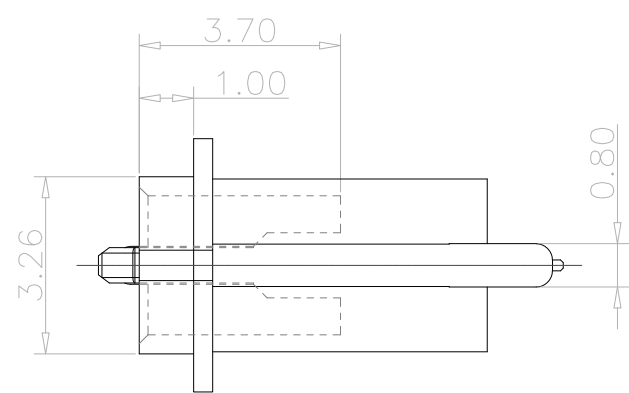
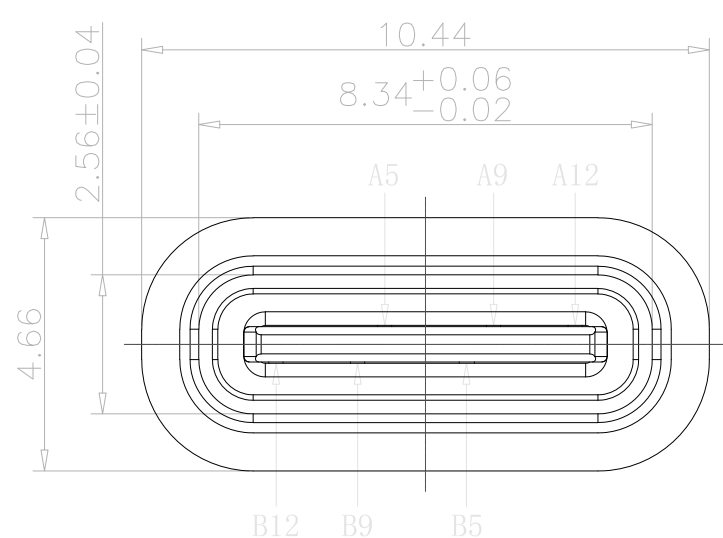
专利产品



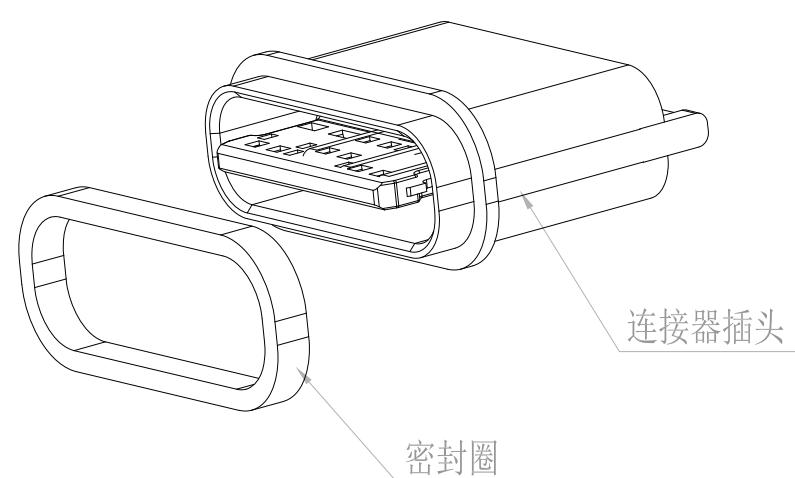
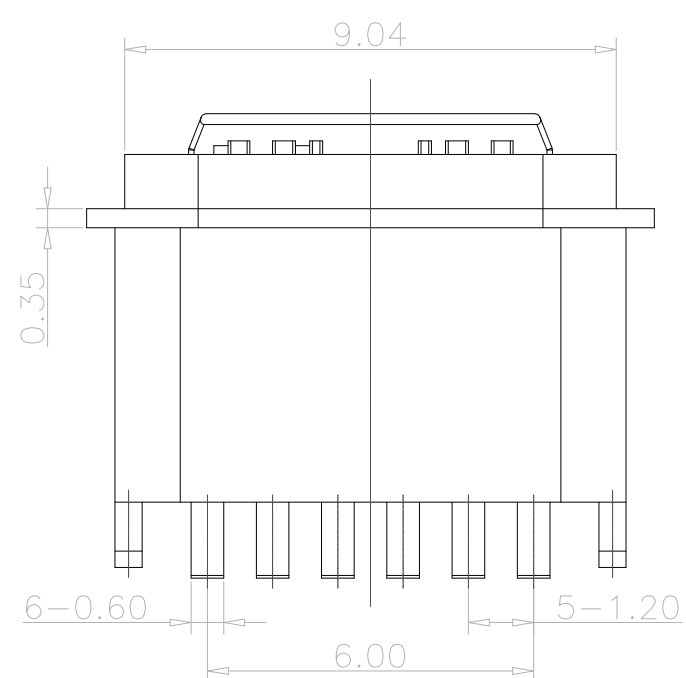
装前塞示意图



RECOMMEND P.C.B LAYOUT (COMPONENT SIDE)  
TOLERANCE FOR PCB LAYOUT IS ±0.05



防水圈图



USB TYPE C PIN ASSIGNMENTS

PIN NUMBER	SIGNAL NAME	PIN NUMBER	SIGNAL NAME
		B12	GND
		B9	VBUS
A5	CC1		
		B5	CC2
A9	VBUS		
A12	GND		

TABLE:

NO	PART	Q'TY	MATERIAL
1	SHELL	1	ZINC ALLOY, NI30u"Min PLATED
2	CONTACT	6	C2680, TIN80u"/Au1u"/NI30u" PLATED
3	1MD HOUSING	1	LCP UL94 V-0 BLACK
4	CAP	1	LCP UL94 V-0 BLACK
5	WATERPROOF RING	1	SILICONE UL94 V-0 BLACK

深圳市创勤电子有限公司  
SHENZHEN CHUANGQIN ELECTRONICS CO., LTD.

品名 (ITEM NO)	TYPE C 6P 立插防水母座L=7.15mm(外壳锌合金/舌片外露0.75)
料号 (PART NO)	CQ063-TFFS90671501
图号 (DWG NO)	CQ-063

页码 (SHEET)	1/1	单位 (UNIT):	MM
版本 (REV)	A0	比例 (SCALE)	1:1
日期 (DATE)	2021.08.30		
设计 (DESIGN)	ZHANG		
审核 (CHECKED)	LIJY		
核准 (APPROVED)	ZHANG		

These drawings and specifications are Shenzhen Chuangqin Electronics Co Ltd. The property should not be copied. Without Shenzhen Chuangqin Electronics Co. Ltd. Prior written consent to copy or use in any way